

Powermax65 SYNC®/85 SYNC/105 SYNC

SmartSYNC® hand/machine torch cartridges



Channel partner minimum order quantity		5	Powermax65 SYNC	Powermax85 SYNC	Powermax105 SYNC
Process	Amps	Part number			
Drag cutting	45	428927	●	●	●
	65	428931	●	●	●
	85	428935		●	●
	105	428937			●

Channel partner minimum order quantity		1			
FineCut hand cutting	30-45	428928	●	●	●

w



Channel partner minimum order quantity		5			
Mechanized cutting	45	428925	●	●	●
	65	428930	●	●	●
	85	428934		●	●
	105	428936			●

FineCut mechanized cutting	30-45	428926	●	●	●
----------------------------	-------	--------	---	---	---

No channel partner minimum order quantity					
Ohmic ring kit (3) rings per kit		428895	●	●	●



Channel partner minimum order quantity		5			
Max removal gouging	45-85	428932	●	●	
	105	428938			●
Max control gouging	45-85	428933	●	●	
	105	428939			●



Channel partner minimum order quantity		1			
FlushCut™	65	428952	●	●	●
	85	428953		●	●
	105	428954			●

Channel partner minimum order quantity		1			
HyAccess™ drag cutting	65	428984	●	●	●
HyAccess gouge	65	428987	●	●	●
HyAccess mechanized cutting	65	528079	●	●	●

A dramatically simplified consumable platform combined with advanced torch communication for automated set-up makes Hypertherm's new Powermax65/85/105 SYNC® plasma systems the smarter choice for any cutting or gouging application.

SmartSYNC® torches

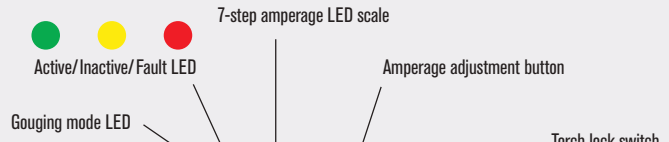
- Advanced torch technology for enabling automated process set-up
- Convenient power and amperage adjustment controls for hand torches

Cartridge

- Single-piece
- Color coded cartridges are easy to identify by process
- Simplifies consumable inventory management

Automatic setup of power supply

- Automated process and amperage setting
- Data display



Hanover, New Hampshire, USA

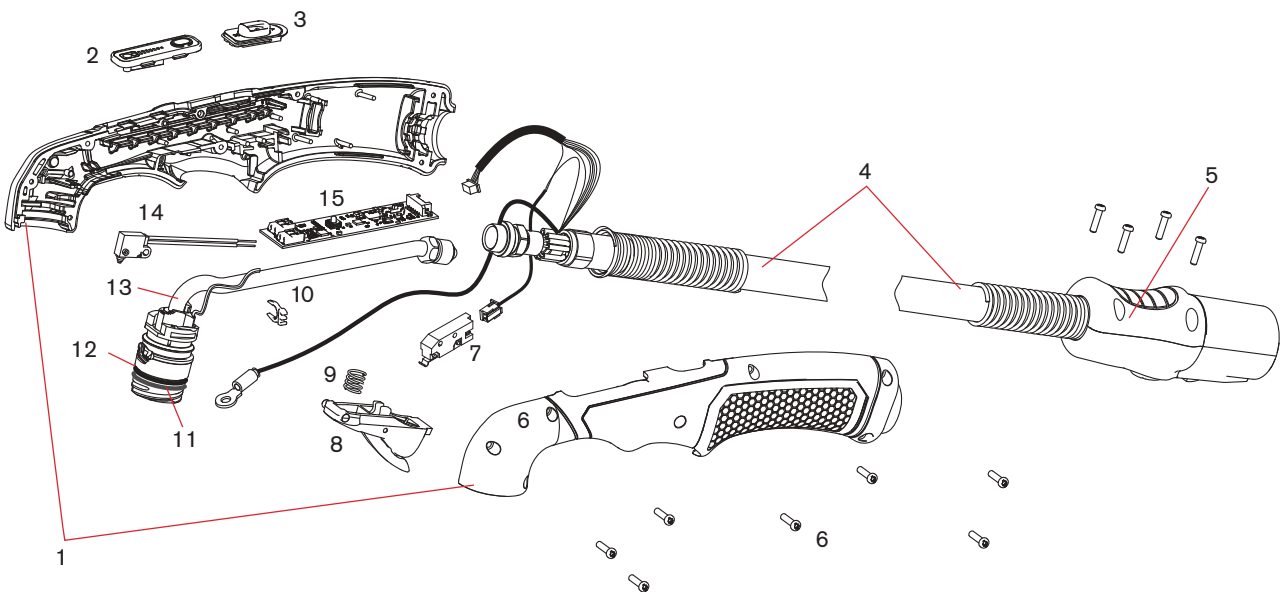
SmartSYNC® 75° hand torch parts

For use with the Powermax65 SYNC®/85 SYNC/105 SYNC



SmartSYNC 75° hand torch assembly

Item	Kit/Part number	Description
	059726	SmartSYNC 75° hand torch assembly with 7.6 m (25 foot) lead
	059727	SmartSYNC 75° hand torch assembly with 15 m (50 foot) lead
	059728	SmartSYNC 75° hand torch assembly with 23 m (75 foot) lead
	059770	SmartSYNC 75° hand torch assembly with 30 m (100 foot) lead
1	428856	Kit: Handle for 75° hand torch, with 7 screws
2	428873	Kit: Amperage-adjustment control
3	428871	Kit: Torch-lock slider, with yellow and green label
4	428852	Kit: Lead for hand torch, 7.6 m (25 foot)
4	428853	Kit: Lead for hand torch, 15 m (50 foot)
4	428854	Kit: Lead for hand torch, 23 m (75 foot)
5	428863	Kit: Quick-disconnect shell, with button, lever, and 4 screws (does not include torch lead connector)
6	428148	Kit: Screws for torch handle, 7 per kit
7	428958	Kit: Start switch
8	428156	Kit: Trigger, with spring, start switch, and 7 screws for torch handle
9	428182	Kit: Spring for trigger, 5 per kit
10	428877	Kit: Clip for RFID wires, 2 per kit
11	528066	Kit: Torch contact ring, 2 per kit (for torch head)
12	428950	Kit: O-ring, 5 per kit (for torch head)
13	428858	Kit: Body for 75° hand torch, with terminal screw (1/4 inch), 7 screws for torch handle, silicone lubricant, and thread locker
14	428865	Kit: Cap-sensor switch for 75° hand torch
15	428869	Kit: Radio-frequency printed circuit board



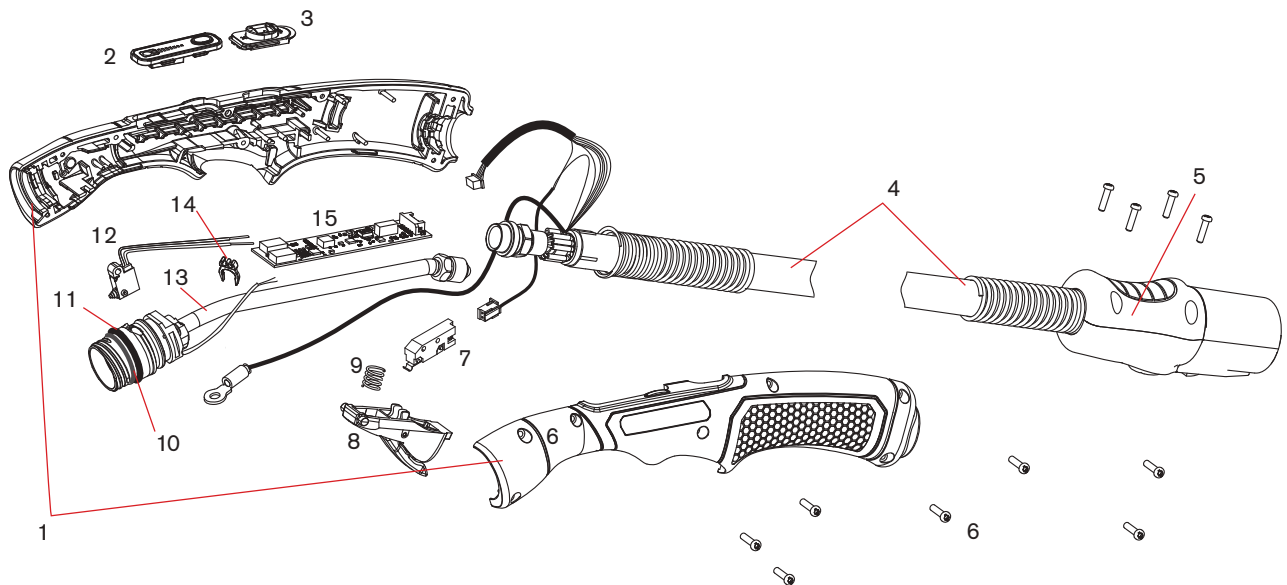
SmartSYNC® 15° hand torch parts

For use with the Powermax65 SYNC®/85 SYNC/105 SYNC



SmartSYNC 15° hand torch assembly

Item	Kit/Part number	Description
	059723	SmartSYNC 15° hand torch assembly with 7.6 m (25 foot) lead
	059724	SmartSYNC 15° hand torch assembly with 15 m (50 foot) lead
	059725	SmartSYNC 15° hand torch assembly with 23 m (75 foot) lead
1	428855	Kit: Handle for 15° hand torch, with 7 screws
2	428873	Kit: Amperage-adjustment control
3	428871	Kit: Torch-lock slider, with yellow and green label
4	428852	Kit: Lead for hand torch, 7.6 m (25 foot)
4	428853	Kit: Lead for hand torch, 15 m (50 foot)
4	428854	Kit: Lead for hand torch, 23 m (75 foot)
5	428863	Kit: Quick-disconnect shell, with button, lever, and 4 screws (does not include torch lead or connector)
6	428148	Kit: Screws for torch handle, 7 per kit
7	428958	Kit: Start switch
8	428156	Kit: Trigger, with spring, start switch, and 7 screws for torch handle
9	428182	Kit: Spring for trigger, 5 per kit
10	528066	Kit: Torch contact ring, 2 per kit (for torch head)
11	428950	Kit: O-ring, 5 per kit (for torch head)
12	428864	Kit: Cap-sensor switch for 15° hand torch
13	428857	Kit: Body for 15° hand torch, with terminal screw (1/4 inch), 7 screws for torch handle, silicone lubricant, and thread locker
14	428877	Kit: Clip for RFID wires, 2 per kit
15	428869	Kit: Radio-frequency printed circuit board



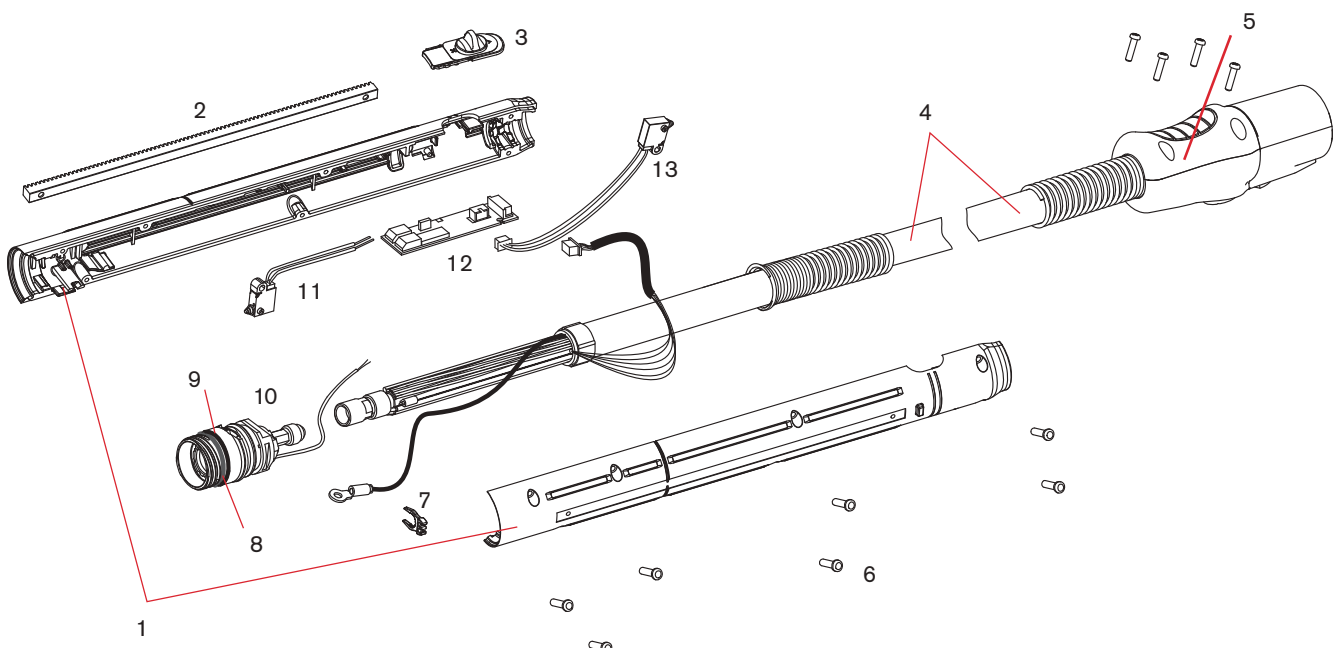
SmartSYNC® 180° machine torch parts

For use with the Powermax65 SYNC®/85 SYNC/105 SYNC



SmartSYNC 180° machine torch assembly

Item	Kit/Part number	Description
	059719	SmartSYNC full-length machine torch assembly with 7.6 m (25 foot) lead
	059720	SmartSYNC full-length machine torch assembly with 10.7 m (35 foot) lead
	059721	SmartSYNC full-length machine torch assembly with 15 m (50 foot) lead
	059722	SmartSYNC full-length machine torch assembly with 23 m (75 foot) lead
1	428874	Kit: Shell for full-length machine torch
2	428703	Kit: Gear rack for full-length machine torch
3	428872	Kit: Torch-lock slider for full-length machine torch, with yellow and green label
4	428847	Kit: Lead for full-length machine torch, 4.6 m (15 foot)
4	428848	Kit: Lead for full-length machine torch, 7.6 m (25 foot)
4	428849	Kit: Lead for full-length machine torch, 10.7 m (35 foot)
4	428850	Kit: Lead for full-length machine torch, 15 m (50 foot)
4	428851	Kit: Lead for full-length machine torch, 23 m (75 foot)
5	428863	Kit: Quick-disconnect shell, with button, lever, and 4 screws (does not include torch lead or connector)
6	428148	Kit: Screws for torch shell, 7 per kit
7	428877	Kit: Clip for RFID wires, 2 per kit
8	528066	Kit: Torch contact ring, 2 per kit (for torch head)
9	428950	Kit: O-ring, 5 per kit (for torch head)
10	428859	Kit: Body for full-length machine torch, with terminal screw (1/4 inch), 7 screws for torch handle, and silicone lubricant
11	428866	Kit: Cap-sensor switch for full-length machine torch
12	428870	Kit: Radio-frequency printed circuit board
13	428868	Kit: Switch assembly for torch-lock slider for full-length machine torch



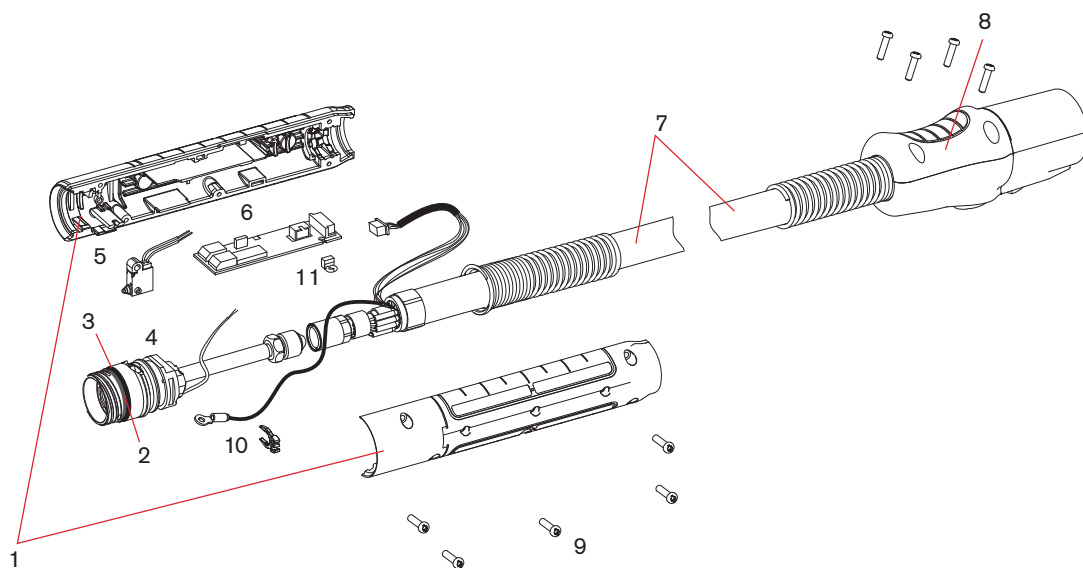
SmartSYNC® 180° mini machine parts

For use with the Powermax65 SYNC®/85 SYNC/105 SYNC



SmartSYNC 180° mini torch assembly

Item	Kit/Part number	Description
	059733	SmartSYNC mini machine torch assembly with 4.6 m (15 foot) lead
	059734	SmartSYNC mini machine torch assembly with 7.6 m (25 foot) lead
	059735	SmartSYNC Mini machine torch assembly with 15 m (50 foot) lead
1	428896	Kit: Shell for mini machine torch
2	528066	Kit: Torch contact ring, 2 per kit (for torch head)
3	428950	Kit: O-ring, 5 per kit (for torch head)
4	428860	Kit: Body for mini machine torch, with terminal screw (1/4 inch), 7 screws for torch handle, and silicone lubricant
5	428867	Kit: Cap-sensor switch for mini machine torch
6	428870	Kit: Radio-frequency printed circuit board
7	428901	Kit: Mini machine torch lead, 4.6 m (15 foot)
7	428900	Kit: Mini machine torch lead, 7.6 m (25 foot)
7	428902	Kit: Mini machine torch lead, 10.7 m (35 foot)
7	428903	Kit: Mini machine torch lead, 15 m (50 foot)
7	428904	Kit: Mini machine torch lead, 23 m (75 foot)
8	428863	Kit: Quick-disconnect shell, with button, lever, and 4 screws (does not include torch lead or connector)
9	428148	Kit: Screws for torch shell, 7 per kit
10	428877	Kit: Clip for RFID wires, 2 per kit
11	428899	Kit: Jumper wire for mini machine torch board



SmartSYNC® 45° robotic torch parts

For use with the Powermax65 SYNC®/85 SYNC/105 SYNC



SmartSYNC 180° machine torch assembly

Item	Kit/Part number	Description
	059719	SmartSYNC full-length machine torch assembly with 7.6 m (25 foot) lead
	059720	SmartSYNC full-length machine torch assembly with 10.7 m (35 foot) lead
	059721	SmartSYNC full-length machine torch assembly with 15 m (50 foot) lead
	059722	SmartSYNC full-length machine torch assembly with 23 m (75 foot) lead
1	428874	Kit: Shell for full-length machine torch
2	428703	Kit: Gear rack for full-length machine torch
3	428872	Kit: Torch-lock slider for full-length machine torch, with yellow and green label
4	428847	Kit: Lead for full-length machine torch, 4.6 m (15 foot)
4	428848	Kit: Lead for full-length machine torch, 7.6 m (25 foot)
4	428849	Kit: Lead for full-length machine torch, 10.7 m (35 foot)
4	428850	Kit: Lead for full-length machine torch, 15 m (50 foot)
4	428851	Kit: Lead for full-length machine torch, 23 m (75 foot)
5	428863	Kit: Quick-disconnect shell, with button, lever, and 4 screws (does not include torch lead or connector)
6	428148	Kit: Screws for torch shell, 7 per kit
7	428877	Kit: Clip for RFID wires, 2 per kit
8	528066	Kit: Torch contact ring, 2 per kit (for torch head)
9	428950	Kit: O-ring, 5 per kit (for torch head)
10	428859	Kit: Body for full-length machine torch, with terminal screw (1/4 inch), 7 screws for torch handle, and silicone lubricant
11	428866	Kit: Cap-sensor switch for full-length machine torch
12	428870	Kit: Radio-frequency printed circuit board
13	428868	Kit: Switch assembly for torch-lock slider for full-length machine torch

SmartSYNC® 90° robotic torch parts

For use with the Powermax65 SYNC®/85 SYNC/105 SYNC



SmartSYNC 180° mini torch assembly

Item	Kit/Part number	Description
	059733	SmartSYNC mini machine torch assembly with 4.6 m (15 foot) lead
	059734	SmartSYNC mini machine torch assembly with 7.6 m (25 foot) lead
	059735	SmartSYNC Mini machine torch assembly with 15 m (50 foot) lead
1	428896	Kit: Shell for mini machine torch
2	528066	Kit: Torch contact ring, 2 per kit (for torch head)
3	428950	Kit: O-ring, 5 per kit (for torch head)
4	428860	Kit: Body for mini machine torch, with terminal screw (1/4 inch), 7 screws for torch handle, and silicone lubricant
5	428867	Kit: Cap-sensor switch for mini machine torch
6	428870	Kit: Radio-frequency printed circuit board
7	428901	Kit: Mini machine torch lead, 4.6 m (15 foot)
7	428900	Kit: Mini machine torch lead, 7.6 m (25 foot)
7	428902	Kit: Mini machine torch lead, 10.7 m (35 foot)
7	428903	Kit: Mini machine torch lead, 15 m (50 foot)
7	428904	Kit: Mini machine torch lead, 23 m (75 foot)
8	428863	Kit: Quick-disconnect shell, with button, lever, and 4 screws (does not include torch lead or connector)
9	428148	Kit: Screws for torch shell, 7 per kit
10	428877	Kit: Clip for RFID wires, 2 per kit
11	428899	Kit: Jumper wire for mini machine torch board

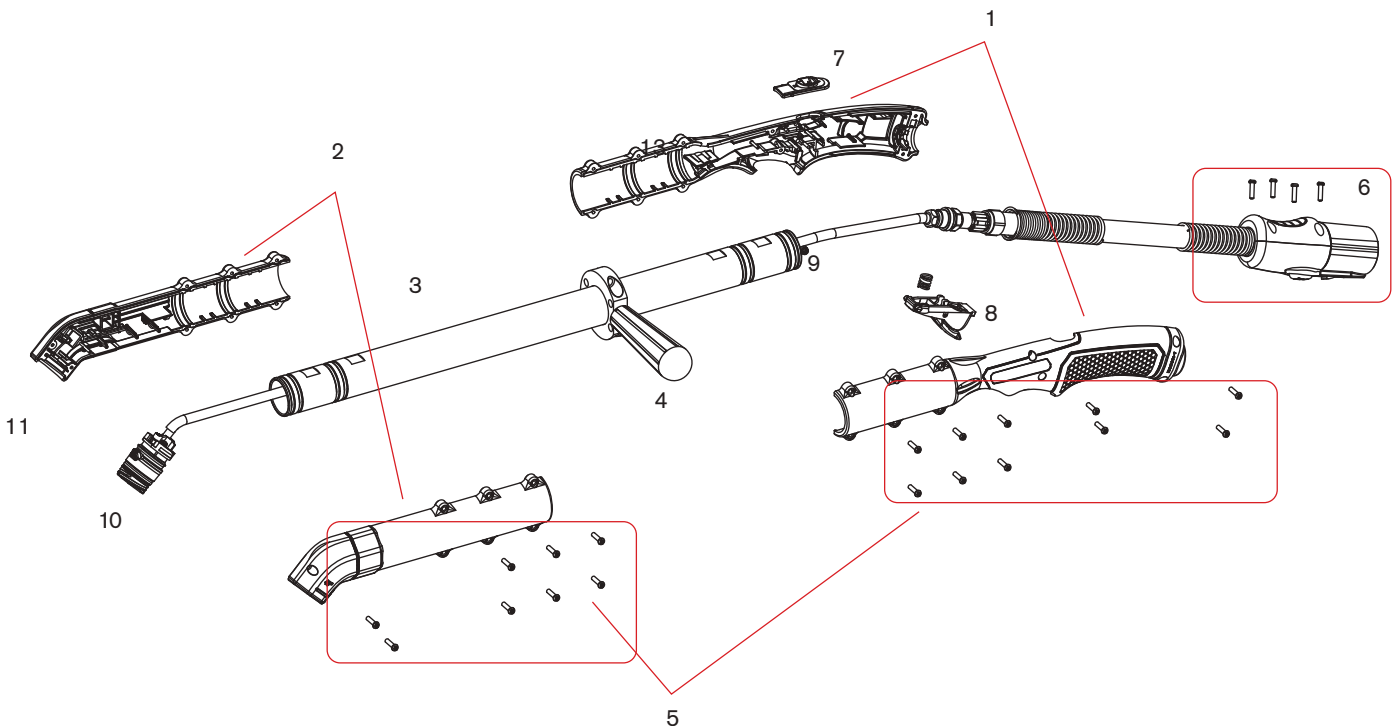
SmartSYNC® long hand torch replacement parts

For use with the Powermax65 SYNC®/85 SYNC/105 SYNC



SmartSYNC 45° long hand torch assembly – external parts

Item	Kit/Part number	Description
	528114	SmartSYNC 45° long torch with 1.2 m (4') extension and 7.6m (25') lead
	528116	SmartSYNC 45° long torch with 0.6 m (2') extension and 15.2m (50') lead
	528118	SmartSYNC 45° long torch with 1.2 m (4') extension and 15.2m (50') lead
	428852	Kit: Lead for hand torch, 7.6m (25')
	428853	Kit: Lead for hand torch, 15.2 (50')
	528091	Kit: SmartSYNC long torch main body replacement – 0.6 m (2'), 45°
	528093	Kit: SmartSYNC long torch main body replacement – 1.2 m (4'), 45°
1	528085	Kit: SmartSYNC long torch handle replacement
2	528086	Kit: SmartSYNC long torch 45° front replacement
3	528088	Kit: SmartSYNC long torch extension tube – 0.6 m (2')
3	528089	Kit: SmartSYNC long torch extension tube – 1.2 m (4')
4	528100	Kit: SmartSYNC long torch auxiliary handle replacement
5	428287	Kit: Screws for long torch, 17 per kit
6	428863	Kit: Quick-disconnect shell, with button, level, and 4 screws (does not include torch lead connector)
7	428595	Kit: Hand torch disable slide switch
8	428156	Kit: Trigger, with spring, start switch, and 7 screws for torch handle
9	428182	Kit: Spring for trigger, 5 per kit
10	528066	Kit: Torch contact ring, 2 per kit (for torch head)
11	428950	Kit: O-ring, 5 per kit (for torch head)

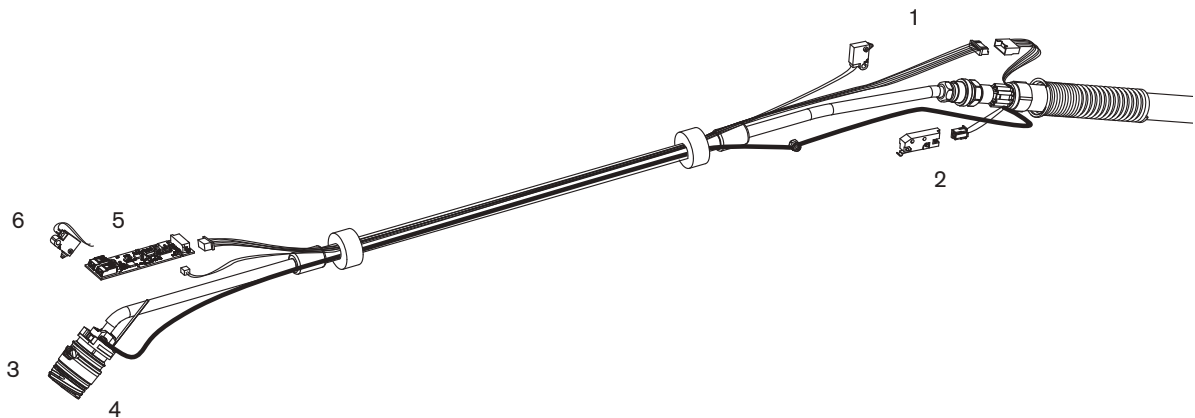


SmartSYNC® long hand torch replacement parts

For use with the Powermax65 SYNC®/85 SYNC/105 SYNC

SmartSYNC 45° long hand torch assembly - internal parts

Item	Kit/Part number	Description
	528114	SmartSYNC 45° long torch with 1.2 m (4') extension and 7.6m (25') lead
	528116	SmartSYNC 45° long torch with 0.6 m (2') extension and 15.2m (50') lead
	528118	SmartSYNC 45° long torch with 1.2 m (4') extension and 15.2m (50') lead
	428852	Kit: Lead for hand torch, 7.6m (25')
	428853	Kit: Lead for hand torch, 15.2 (50')
1	528097	Kit: SmartSYNC long torch wire replacement - 0.6 m (2')
1	528098	Kit: SmartSYNC long torch wire replacement - 1.2 m (4')
2	428958	Kit: Start Switch
3	528066	Kit: Torch contact ring, 2 per kit (for torch head)
4	428950	Kit: O-ring, 5 per kit (for torch head)
5	428870	Kit: Radio-frequency printed circuit board
6	428864	Kit: SmartSYNC cap sensor for 15° and 45° torches



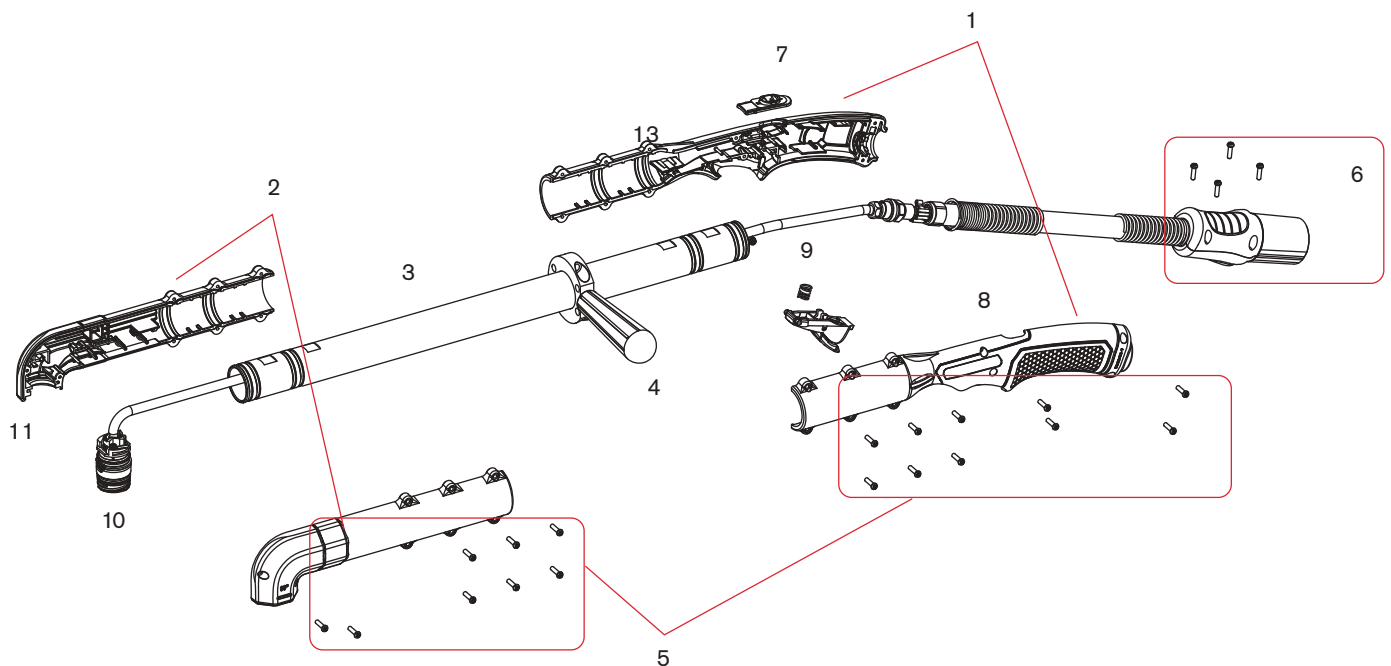
SmartSYNC® long hand torch replacement parts

For use with the Powermax65 SYNC®/85 SYNC/105 SYNC



SmartSYNC 90° long hand torch assembly – external parts

Item	Kit/Part number	Description
	528117	SmartSYNC 90° long torch with 0.6 m (2') extension and 15.2m (50') lead
	528119	SmartSYNC 90° long torch with 1.2 m (4') extension and 15.2m (50') lead
	528097	Kit: SmartSYNC long torch wire replacement – 0.6 m (2')
	528098	Kit: SmartSYNC long torch wire replacement – 1.2 m (4')
	528092	Kit: SmartSYNC long torch main body replacement – 0.6 m (2'), 90°
	528094	Kit: SmartSYNC long torch main body replacement – 1.2 m (4'), 90°
1	528085	Kit: SmartSYNC long torch handle replacement
2	528087	Kit: SmartSYNC long torch 90° front replacement
3	528088	Kit: SmartSYNC long torch extension tube – 0.6 m (2')
3	528089	Kit: SmartSYNC long torch extension tube – 1.2 m (4')
4	528100	Kit: SmartSYNC long torch auxiliary handle replacement
5	428287	Kit: Screws for long torch, 17 per kit
6	428863	Kit: Quick-disconnect shell, with button, level, and 4 screws (does not include torch lead connector)
7	428595	Kit: Hand torch disable slide switch
8	428156	Kit: Trigger, with spring, start switch, and 7 screws for torch handle
9	428182	Kit: Spring for trigger, 5 per kit
10	528066	Kit: Torch contact ring, 2 per kit (for torch head)
11	428950	Kit: O-ring, 5 per kit (for torch head)



SmartSYNC® long hand torch replacement parts

For use with the Powermax65 SYNC®/85 SYNC/105 SYNC

SmartSYNC 90° long hand torch assembly - internal parts

Item	Kit/Part number	Description
	528117	SmartSYNC 90° long torch with 0.6 m (2') extension and 15.2m (50') lead
	528119	SmartSYNC 90° long torch with 1.2 m (4') extension and 15.2m (50') lead
1	528097	Kit: SmartSYNC long torch wire replacement - 0.6 m (2')
1	528098	Kit: SmartSYNC long torch wire replacement - 1.2 m (4')
2	428958	Kit: Start Switch
3	528066	Kit: Torch contact ring, 2 per kit (for torch head)
4	428950	Kit: O-ring, 5 per kit (for torch head)
5	428870	Kit: Radio-frequency printed circuit board
6	428866	Kit: SmartSYNC cap sensor 90° and mechanized torches

